

# ZERMA

## THE HOME OF SIZE REDUCTION

Shredders // **Granulators** // Pulverizers // Attachments

GSL // **GSE** // GSC // GSH // GSP // ZHM

## GSE 300

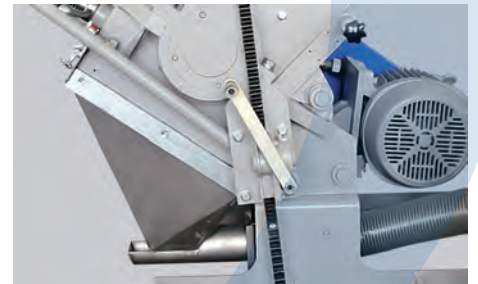
### ECONOMICAL GRANULATOR



Rotor and stator knives are pre-set outside the machine prior to installation in a supplied fixture. This makes awkward adjustment inside the machine unnecessary.



The GSE granulators are available with different rotor options to fit different applications, all rotors feature the V-cut technology creating a high quality regrind.



The user friendly design of the GSE series granulators allows quick and easy access to the cutting chamber for maintenance and cleaning.

### GENERAL DESCRIPTION

For the GSE 300 series different rotor designs are available in widths ranging from 300 mm to 1400 mm with a diameter of 300 mm. The completely welded cutting chamber in conjunction with the "V" type rotor design ensures dependability in operation and universal application use. The housing design offers easy and quick access to the cutting chamber during rotor and stator knife changes, servicing or screen changes.

### APPLICATIONS

The GSE series of machines are designed as economical granulators for use in in house recycling. The cutting geometry of the GSE 300 series makes it ideal for the grinding of small thin walled hollow parts. The complete GSE granulator line achieves a high quality regrind independent of the material type or form such as injection moulded parts, blow moulded parts, profiles, sheets, film, etc.

### ADVANTAGES

- **Knives are adjusted outside of the machine**
- **Mobile Compact design**
- **Different rotor types available**
- **Easy accessibility**
- **Aggressive tangential infeed**

ENGLISH

PLASTIC SIZE REDUCTION  
RUBBER SIZE REDUCTION  
WOOD SIZE REDUCTION  
E-WASTE SIZE REDUCTION



# GSE ECONOMICAL GRANULATOR



PLASTIC  
SIZE  
REDUCTION

WOOD  
SIZE  
REDUCTION

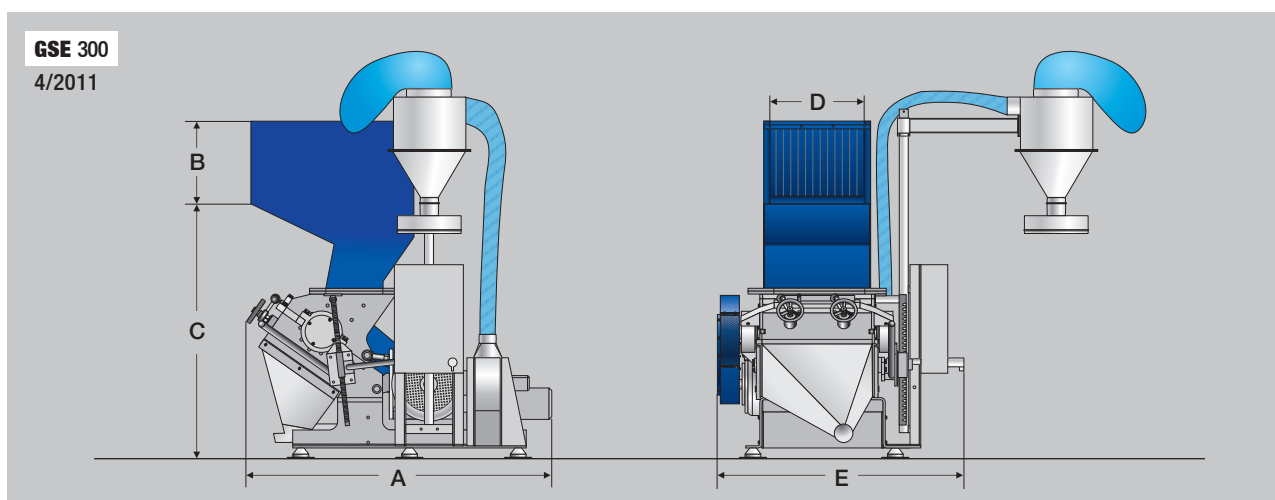
ZERMA. THE  
HOME OF SIZE  
REDUCTION



## SPECIFICATIONS

Type GSE	300/300	300/600	300/1000	300/1400
Rotor diameter (mm)	300	300	300	300
Rotor width (mm)	300	600	1000	1400
Drive capacity (kW)	7.5	11	18.5	22
Rotor knives (rows)	3	3	3	3
Stator blades (rows)	2	2	2	2
Screen size (mm)	>6	>6	>6	>6
Effective working area (mm)	400 x 290	400 x 590	400 x 990	400 x 1400
A (mm)	1660	1695	1275	1380
B (mm)	450	450	450	460
C (mm)	1420	1420	1420	1450
D (mm)	300	590	990	1400
E (mm)	1085	1375	1620	1985

## DIMENSIONS



Subject to technical modification



**AMIS MASCHINEN-VERTRIEBS GMBH**  
 IM ROHRBUSCH 15 | 74939 ZUZENHAUSEN | GERMANY  
 PHONE: +49 (0)6226-7890-0 | FAX: +49 (0)6226-7890-222  
 E-MAIL: [INFO@AMIS.DE](mailto:INFO@AMIS.DE)

**ZERMA EUROPE**  
**AMIS MASCHINEN-VERTRIEBS GMBH**

**[WWW.AMIS.DE](http://WWW.AMIS.DE)**